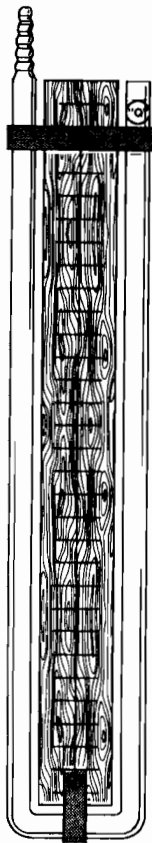


VACUUM GAUGES

QV-1000 VACUUM GAUGE

Heavy wall manometer with both ends open, mounted to a graduated meter stick. Use for vacuum, pressure or with one end closed to measure against absolute zero. Complete, but without mercury.

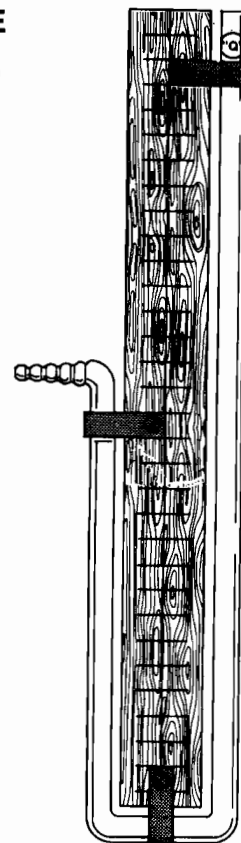
Graduated Length, MM	Mercury Required ML	Code
20	1.2	-110
30	1.8	-111
50	3	-112
75	4.5	-113
100	6	-114



QV-1020 VACUUM GAUGE

Heavy wall manometer. Similar to QV-1000, but with the hose connection on a 90° angle at the center of manometer.

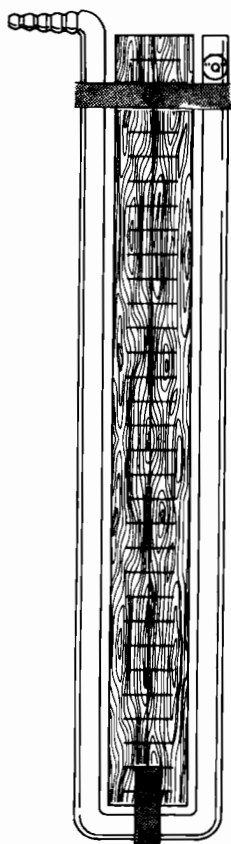
Graduated Length, MM	Mercury Required ML	Code
20	1.2	-110
30	1.8	-111
50	3	-112
75	4.5	-113
100	6	-114



QV-1010 VACUUM GAUGE

Heavy wall manometer. Similar to QV-1000, but with the hose connection on a 90° angle. Complete, but without mercury.

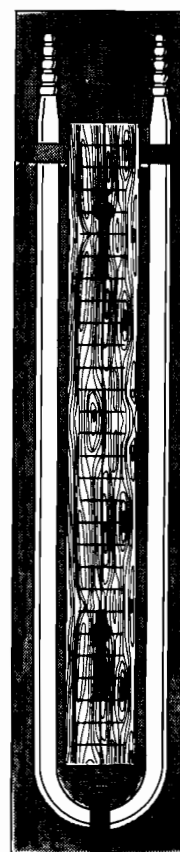
Graduated Length, MM	Mercury Required ML	Code
20	1.2	-110
30	1.8	-111
50	3	-112
75	4.5	-113
100	6	-114



QV-1030 VACUUM GAUGE

Manometer is mounted to a strong backboard with an adjustable scale, calibrated to permit accurate reading. Complete, but without mercury.

Graduated Length, MM	Mercury Required ML	Code
30	1.8	-110
60	3.6	-111
90	5.4	-112

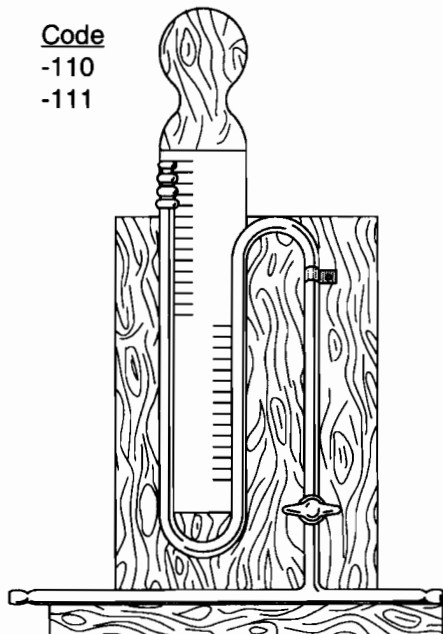


VACUUM GAUGES

QV-1040 VACUUM GAUGE

Manometer, used mostly in vacuum distillations or when pressures down to 1mm. The adjustable scale is graduated to 260mm and the glass tube has a 2mm glass stopcock, mounted on a wooden stand. Complete with 4ml of mercury.

Description	Code
Complete	-110
Glass Tube Only	-111

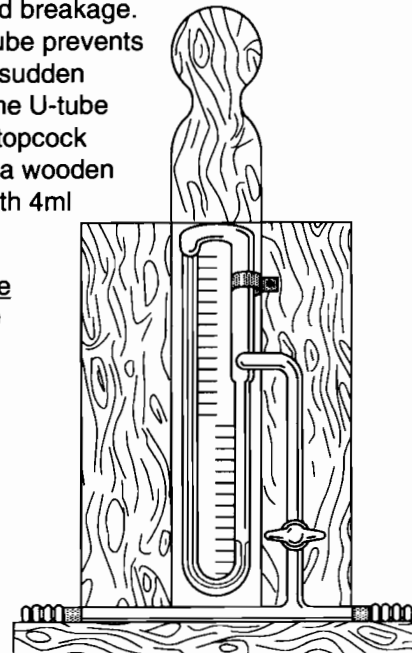


QV-1060 VACUUM GAUGE

Manometer, for use in vacuum distillations or when pressure is down to 1mm. The adjustable mirror backed scale is graduated 130mm above and below zero in 1mm divisions. U tube at top acts as a brace which helps to avoid breakage.

Capillary in the U tube prevents damage in case of sudden vacuum release. The U-tube has a 2mm glass stopcock and is mounted on a wooden stand. Complete with 4ml of mercury.

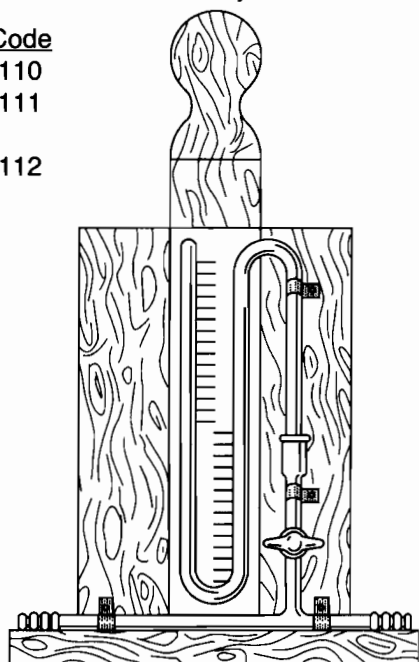
Description	Code
Complete	-110
Glass U Tube Only	-111



QV-1050 VACUUM GAUGE

Manometer. Similar to QV-1040, but with a 10/30 joint added between the U tube and the stopcock which simplifies the refilling or the replacement of the mercury tube. Complete with 4ml of mercury.

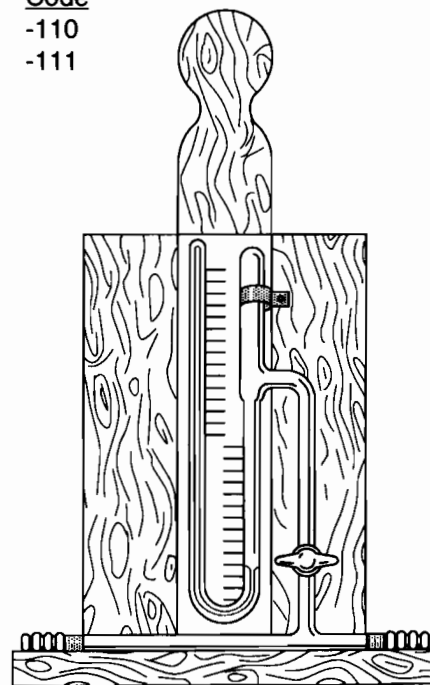
Description	Code
Complete	-110
U Tube Only	-111
Stopcock, Line Tube Only	-112



QV-1080 VACUUM GAUGE

Manometer. Similar to QV-1060, but without the U tube at top. Complete with 4ml of mercury.

Description	Code
Complete	-110
Glass Tube Only	-111

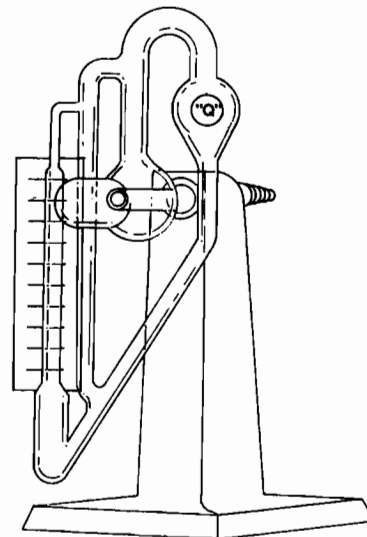


VACUUM GAUGES

QV-2000 VACUUM GAUGE

Mcleod, precision bore capillary tubing assures accuracy of + or - 3% and interchangeable within each pressure range. A graduation mark on the reservoir indicates how much mercury is required and an opening on the inner tube allows the gauge to be emptied and cleaned. Mounted on a metal stand which will hold the gauge in any desired position. Complete, but without mercury.

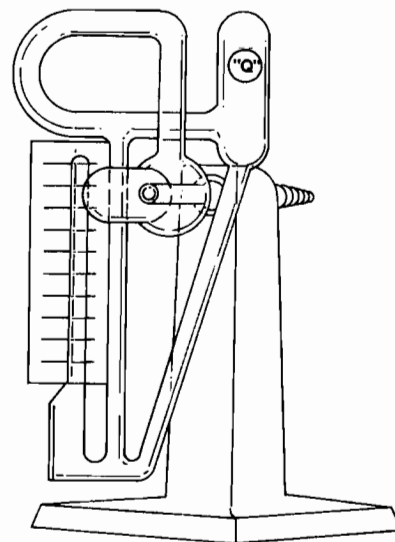
Mercury Required, ML	Pressure Range, MM	Finest Reading, MM	Complete Code	Glass Tube Only Code
14	0-1	.001	-110	-214
14	0-5	.01	-111	-215
14	0-10	.02	-112	-216
18	0-15	.03	-113	-217



QV-2010 VACUUM GAUGE

Similar to QV-2000, but differing in the design. Complete, but without mercury.

Mercury Required, ML	Pressure Range, MM	Finest Reading, MM	Complete Code	Glass Tube Only Code
14	0-1	.001	-110	-214
14	0-5	.01	-111	-215
14	0-10	.02	-112	-216
18	0-15	.03	-113	-217



QV-2020 VACUUM GAUGE

Mcleod-Lippincott. Similar to QV-2000, but with a mercury self leveling feature for automatic zeroing. Complete, but without mercury.

Mercury Required, ML	Pressure Range, MM	Finest Reading, MM	Complete Code	Glass Tube Only Code
14	0-1	.001	-110	-214
14	0-5	.01	-111	-215
14	0-10	.02	-112	-216
18	0-15	.03	-113	-217

