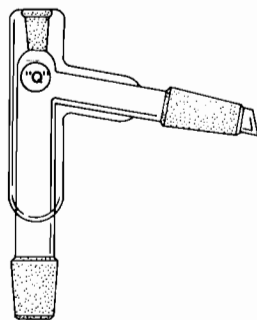


MICRO LAB • DISTILLING COLUMNS

QM-670 DISTILLING COLUMN

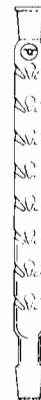
Vacuum jacketed with 10/18 outer joint at top for thermometer. Inner joint at bottom and drip tip on the side arm are the same size.



Jacket Length, MM	14/20 Code	19/22 Code
110	-10	-22
200	-11	-23

QM-680 DISTILLING COLUMN

Vigreux type column with alternating rows of horizontal and downwards indents for improved vapor-liquid contact. Column length is measured from the lowest to the highest indent.

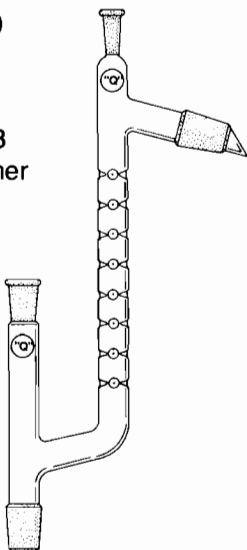


Column Length, MM	14/20 Code	19/22 Code
100	-10	-23
130	-11	-24
170	-12	-25

MICRO LAB • DISTILLING HEADS

QM-685 DISTILLING HEAD

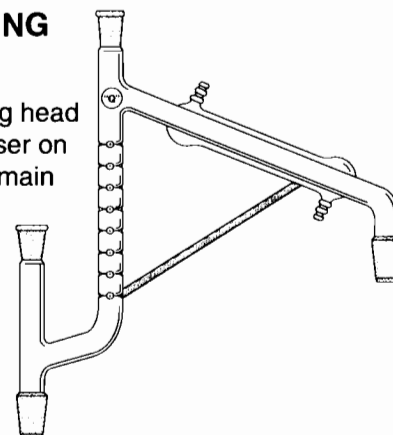
Vigreux type column attached to the side arm of a claisen adapter. The top of the column has a 10/18 outer joint for thermometer. All other joints are the same size.



Column Length, MM	14/20 Code	19/22 Code
100	-10	-22
200	-11	-23

QM-700 DISTILLING HEAD

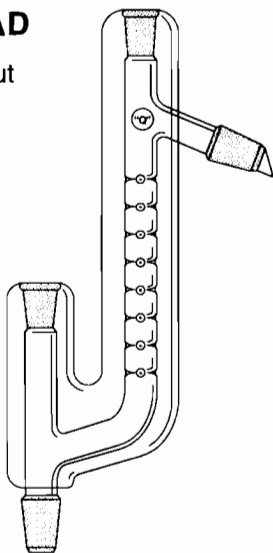
Vigreux type distilling head and jacketed condenser on a 75° angle. Joint on main tube is a 10/18 thermometer joint. All other joints are the same size.



Column Length, MM	14/20 Code	19/22 Code
100	-10	-22
200	-11	-23

QM-690 DISTILLING HEAD

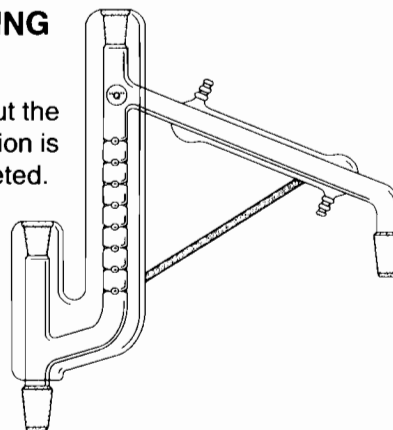
Vigreux. Similar to QM-685, but vacuum jacketed.



Column Length, MM	14/20 Code	19/22 Code
100	-10	-22
200	-11	-23

QM-710 DISTILLING HEAD

Similar to Qm-700, but the vigreux-claisen section is entirely vacuum jacketed. Joint on main tube is a 10/18 outer joint for thermometer. All other joints are the same size.

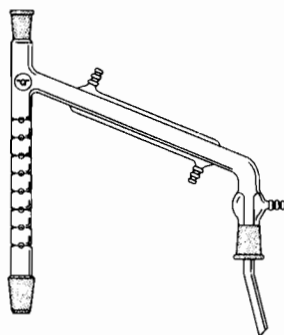


Column Length, MM	14/20 Code	19/22 Code
100	-10	-22
200	-11	-23

MICRO LAB • DISTILLING HEADS

QM-720 DISTILLING HEAD

Vigreux type distilling head and jacketed condenser on a 75° angle. The delivery end of the condenser has a vacuum connection and an outer joint. Joint on main tube is a 10/18 thermometer joint, all other joints are 14/20.

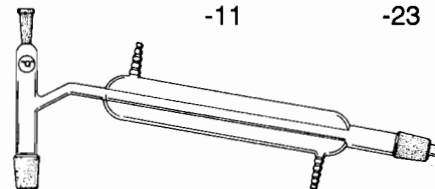


Code
-10

QM-760 DISTILLING HEAD

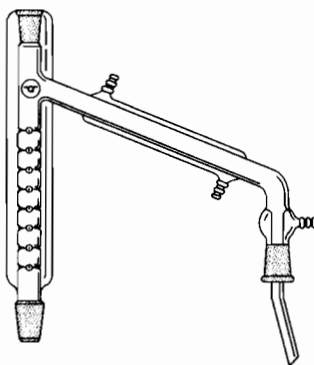
Straight thermometer adapter with a connected liebig condenser on a 75° angle. All joints are the same size.

<u>Condenser Length. MM</u>	<u>14/20 Code</u>	<u>19/22 Code</u>
100	-10	-22
200	-11	-23



QM-730 DISTILLING HEAD

Similar to QM-720, but the vigreux section is vacuum jacketed. Joint on main tube is a 10/18 thermometer joint, all other joints are 14/20.

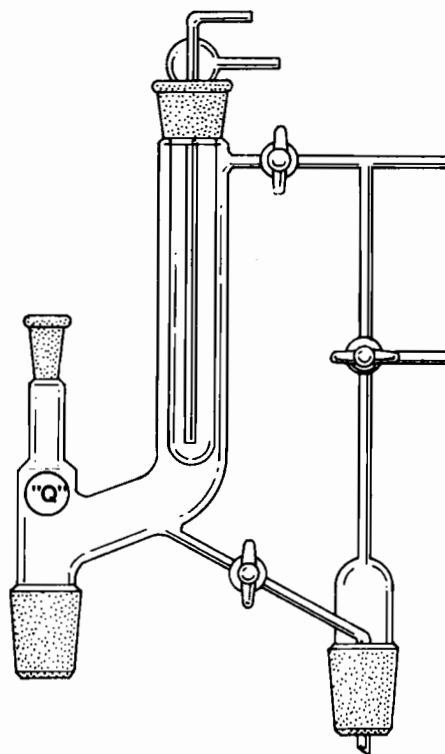


Code
-10

QM-770 DISTILLING HEAD

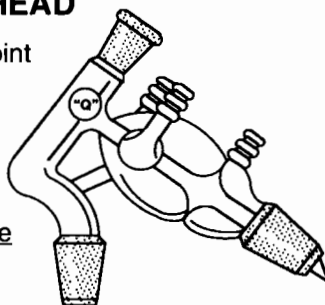
The stopcock manifold allows contents of receiver to be removed without disturbing the vacuum. Removable cold finger is approximately 100mm long with a 14/20 inner joint. The 10/18 outer joint on the main tube is for a thermometer. Both bottom inner joints are the same size. Available with glass or teflon stopcocks.

<u>Description</u>	<u>Inner Joints</u>	Glass	Teflon
		<u>Stopcock Code</u>	<u>Stopcock Code</u>
Complete	14/20	-10	-24
Complete	19/22	-11	-25
Head Only	14/20	-12	-26
Head Only	19/22	-13	-27
Cold Finger Only	14/20	QM-590-11	



QM-740 DISTILLING HEAD

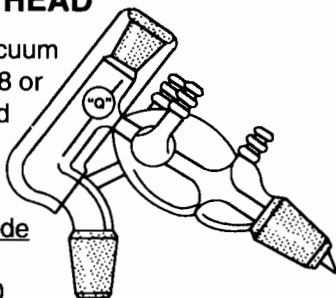
Head has a 10/18 or 7/12 joint for thermometer and two 14/20 inner joints for connection of the receiver and flask.



<u>Description</u>	<u>Code</u>
10/18 Thermometer Joint	-10
7/12 Thermometer Joint	-11

QM-750 DISTILLING HEAD

Similar to QM-740, but vacuum jacketed, head has a 10/18 or 7/12 thermometer joint and two 14/20 inner joints.

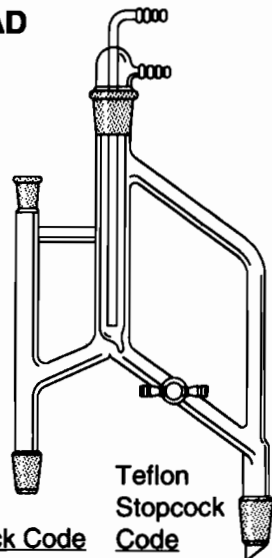


<u>Description</u>	<u>Code</u>
10/18 Thermometer Joint	-10
7/12 Thermometer Joint	-11

MICRO LAB • DISTILLING HEADS

QM-780 DISTILLING HEAD

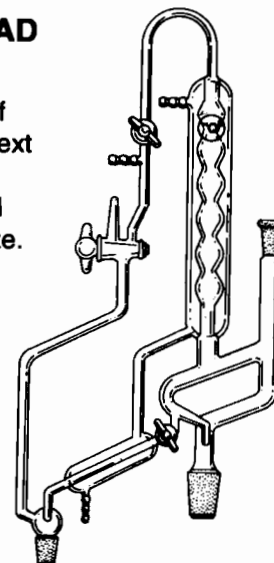
Removable cold finger is approximately 100mm long with a 14/20 inner joint. The 10/18 outer joint on main tube is for thermometer. Inner joints are the same size. Available with a glass or teflon stopcock.



Description	Inner Joints	Glass Stopcock Code	Teflon Stopcock Code
Complete	14/20	-10	-24
Complete	19/22	-11	-25
Head Only	14/20	-12	-26
Head Only	19/22	-13	-27
Cold Finger Only	14/20	QM-590-11	

QM-790 DISTILLING HEAD

Built in Allihn condenser and stopcock manifold for control of reflux and vacuum, with vent next to the oblique stopcock. 10/18 outer joint for thermometer and two inner joints of the same size. Available with glass or teflon stopcocks.

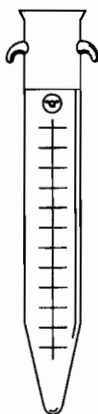


Inner Joints	Glass Stopcock Code	Teflon Stopcock Code
14/20	-10	-22
19/22	-11	-23

MICRO LAB • DISTILLING RECEIVERS

QM-800 DISTILLING RECEIVER

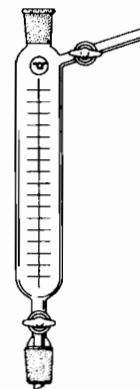
Graduated, conical shape bottom with outer joint and hooks. Graduated from 0-2ml in 0.1ml and 2-12 (15)ml in 0.2ml subdivisions.



Capacity, ML	14/20 Code	19/22 Code
12	-10	-22
15	-11	-23

QM-820 DISTILLING RECEIVER

Receiver has an outlet tube for vacuum with a stopcock and a 10ml graduated section with stopcock and drip tip at bottom. Available with glass or teflon stopcocks.



Joint Size	Glass Stopcock Code	Teflon Stopcock Code
14/20	-10	-22
19/22	-11	-23

QM-810 DISTILLING RECEIVER

With outer joint above the graduated section and inner joint of the same size on the side arm. 2ml has a cylindrical shaped reservoir tube and 5 and 10ml have conical shaped tubes. Available with glass or teflon stopcocks.

Capacity, ML	Subdivisions, ML	Joint Size	Glass Stopcock Code	Teflon Stopcock Code
2	0.02	14/20	-10	-26
5	0.2	14/20	-11	-27
10	0.1	14/20	-12	-28
2	0.02	19/22	-13	-29
5	0.2	19/22	-14	-30
10	0.1	19/22	-15	-31

