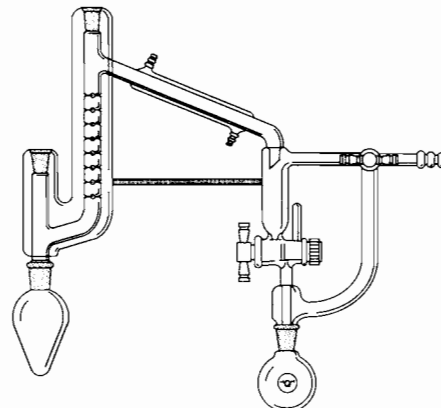


MICRO LAB • DISTILLING APPARATUS

QM-630 DISTILLING APPARATUS

Useful for small scale vacuum distillations. Consists of a jacketed vigreux head with an attached condenser, two 10/18 thermometer joints and two 2mm teflon stopcocks. Complete with a 50ml pear shaped flask and a 25ml round bottom flask.

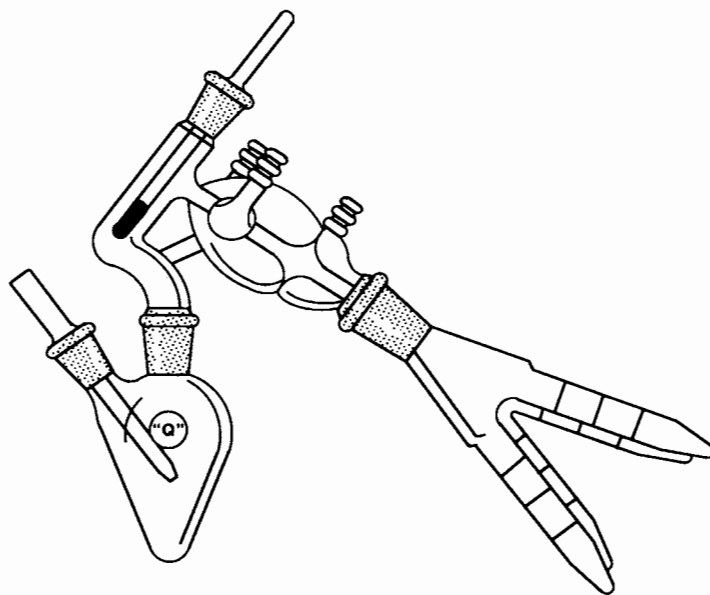
Description	Code
Complete	-10
Distilling Head Only	-11
50ml Pear Shaped Flask	-12
25ml Round Bottom Flask	-13



QM-640 DISTILLING APPARATUS

Short path. Product loss is minimized by compact design. Consists of a 10ml pear shape flask with 14/20 center neck and a 10/18 inlet tube, a distilling head with two 14/20 inner joints and a 10/18 or 7/12 outer joint for thermometer, a cow shaped receiver with four 3ml graduated tubes. Complete with thermometer having a -10 to 250° C range.

Description	Code
Complete 10/18 Thermometer Joint	-10
Complete 7/12 Thermometer Joint	-11
Distilling Head Only 10/18 Thermometer Joint	-12
Distilling Head Only 7/12 Thermometer Joint	-13
Receiver Only	-14
10ml Flask Only	-15
Thermometer 7/12 Joint Only	-16
Thermometer 10/18 Joint Only	-17
Inlet Tube Only	-18



MICRO LAB • DISTILLING COLUMNS

QM-650 DISTILLING COLUMN

A plain column with outer joint at top and an inner joint at bottom with indents for supporting packing.

Column Length, MM	14/20 Code	19/22 Code
130	-10	-22
250	-11	-23



QM-660 DISTILLING COLUMN

Similar to QM-650, but with the addition of a vacuum jacket. Column length is approximately 130mm.

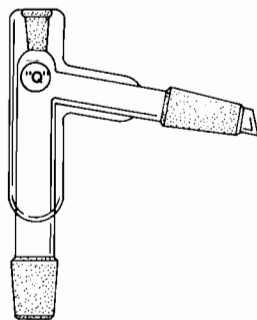
Joint Size	Column ID, MM	Code
14/20	10	-10
19/22	12	-11



MICRO LAB • DISTILLING COLUMNS

QM-670 DISTILLING COLUMN

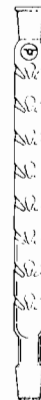
Vacuum jacketed with 10/18 outer joint at top for thermometer. Inner joint at bottom and drip tip on the side arm are the same size.



Jacket Length, MM	14/20 Code	19/22 Code
110	-10	-22
200	-11	-23

QM-680 DISTILLING COLUMN

Vigreux type column with alternating rows of horizontal and downwards indents for improved vapor-liquid contact. Column length is measured from the lowest to the highest indent.

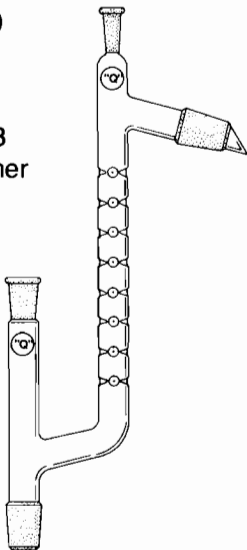


Column Length, MM	14/20 Code	19/22 Code
100	-10	-23
130	-11	-24
170	-12	-25

MICRO LAB • DISTILLING HEADS

QM-685 DISTILLING HEAD

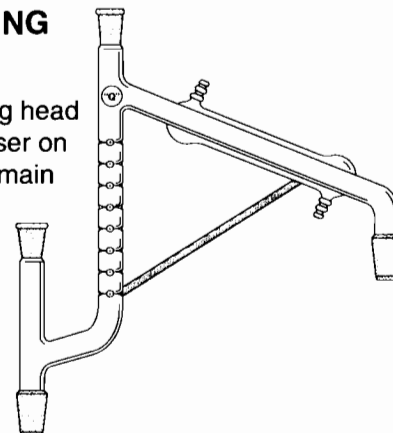
Vigreux type column attached to the side arm of a claisen adapter. The top of the column has a 10/18 outer joint for thermometer. All other joints are the same size.



Column Length, MM	14/20 Code	19/22 Code
100	-10	-22
200	-11	-23

QM-700 DISTILLING HEAD

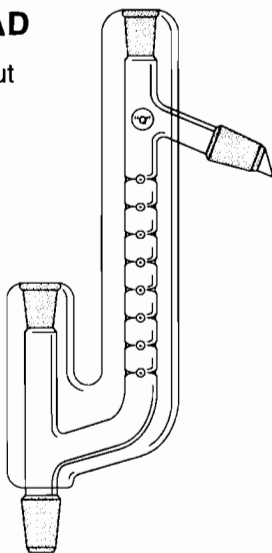
Vigreux type distilling head and jacketed condenser on a 75° angle. Joint on main tube is a 10/18 thermometer joint. All other joints are the same size.



Column Length, MM	14/20 Code	19/22 Code
100	-10	-22
200	-11	-23

QM-690 DISTILLING HEAD

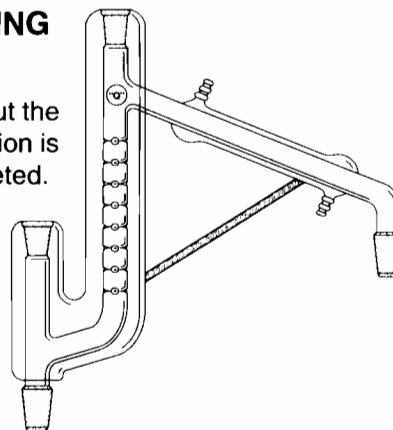
Vigreux. Similar to QM-685, but vacuum jacketed.



Column Length, MM	14/20 Code	19/22 Code
100	-10	-22
200	-11	-23

QM-710 DISTILLING HEAD

Similar to Qm-700, but the vigreux-claisen section is entirely vacuum jacketed. Joint on main tube is a 10/18 outer joint for thermometer. All other joints are the same size.



Column Length, MM	14/20 Code	19/22 Code
100	-10	-22
200	-11	-23