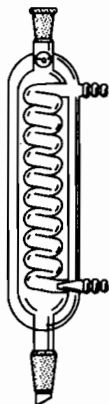


MICRO LAB • CONDENSERS

QM-580 CONDENSER DOUBLE JACKET

Coolant passes through inner coil and outer jacket. Top outer and bottom inner joints are the same size. Jacket length is approximately 80mm.

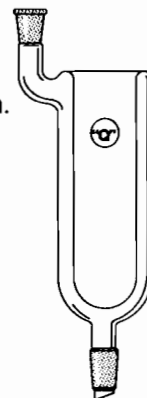
Joint Size	Code
14/20	-10
19/22	-11



QM-600 CONDENSER, DEWAR

Vented vertically for safety with outer joint and drip tip of the same size at bottom.

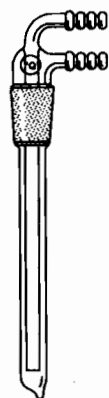
ID, MM	Depth, MM	14/20 Code	19/22 Code
32	120	-10	-23
36	95	-11	-24
70	95	-12	-25



QM-590 CONDENSER COLD FINGER

The jacket extends below an inner joint to a pointed bottom to form a drip tip.

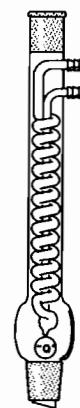
Jacket Length, MM	14/20 Code	19/22 Code
80	-10	-23
100	-11	-24
150	-12	-25



QM-610 CONDENSER, SPIRAL

The hose connections are at the top on the same side. The outer joint at top and bottom drip tip are the same size. The jacket length is approximately 200mm.

Joint Size	Code
14/20	-10
19/22	-11

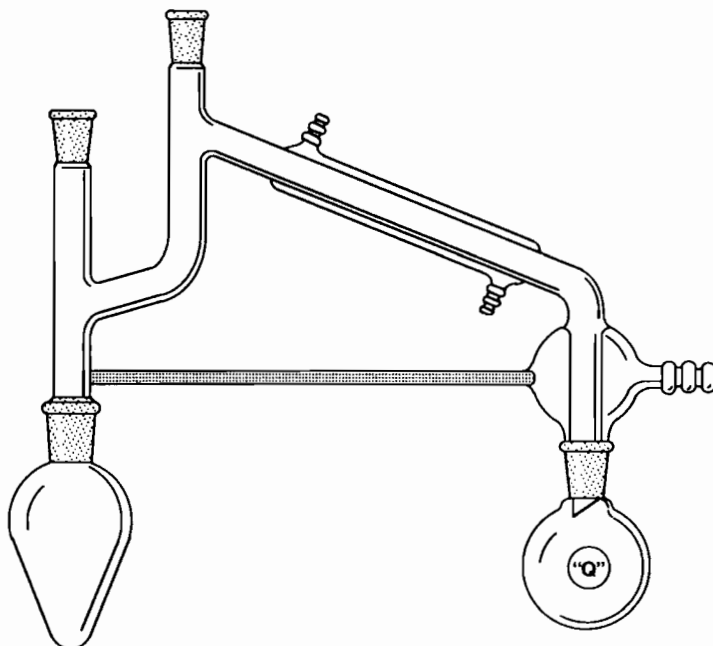


MICRO LAB • DISTILLING APPARATUS

QM-620 DISTILLING APPARATUS

Useful for small scale vacuum distillations. Consists of a claisen type distilling head with attached condenser, 25ml pear shaped flask and a 25ml round bottom flask. All joints are 14/20 except the claisen side arm which has a 10/18 outer joint for a 1" immersion thermometer.

Description	Code
Complete	-10
Distilling Head Only	-11
25ML Pear Shaped Flask	-12
25ML Round Bottom Flask.	-13

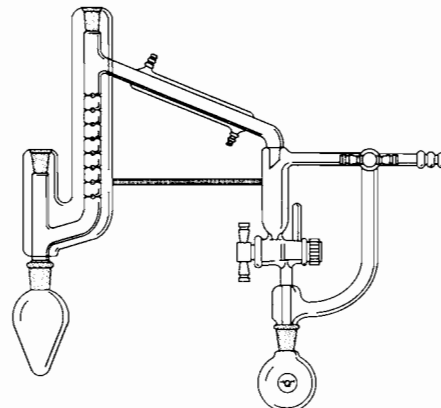


MICRO LAB • DISTILLING APPARATUS

QM-630 DISTILLING APPARATUS

Useful for small scale vacuum distillations. Consists of a jacketed vigreux head with an attached condenser, two 10/18 thermometer joints and two 2mm teflon stopcocks. Complete with a 50ml pear shaped flask and a 25ml round bottom flask.

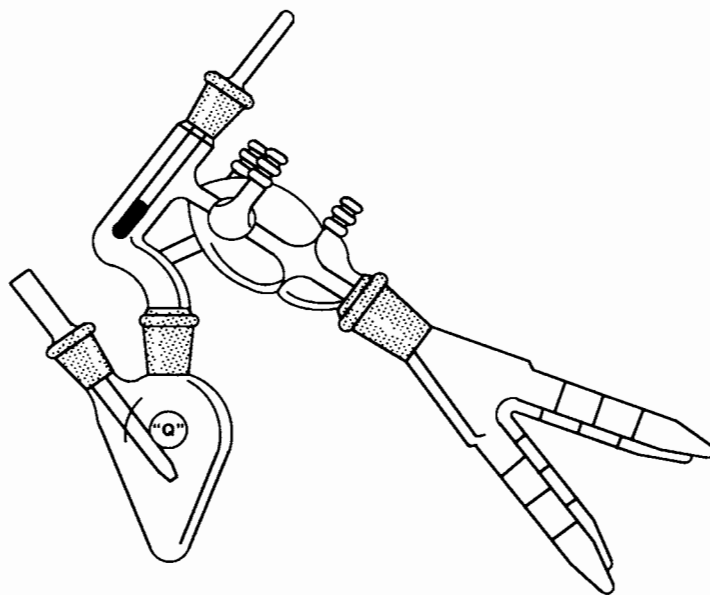
Description	Code
Complete	-10
Distilling Head Only	-11
50ml Pear Shaped Flask	-12
25ml Round Bottom Flask	-13



QM-640 DISTILLING APPARATUS

Short path. Product loss is minimized by compact design. Consists of a 10ml pear shape flask with 14/20 center neck and a 10/18 inlet tube, a distilling head with two 14/20 inner joints and a 10/18 or 7/12 outer joint for thermometer, a cow shaped receiver with four 3ml graduated tubes. Complete with thermometer having a -10 to 250° C range.

Description	Code
Complete 10/18 Thermometer Joint	-10
Complete 7/12 Thermometer Joint	-11
Distilling Head Only 10/18 Thermometer Joint	-12
Distilling Head Only 7/12 Thermometer Joint	-13
Receiver Only	-14
10ml Flask Only	-15
Thermometer 7/12 Joint Only	-16
Thermometer 10/18 Joint Only	-17
Inlet Tube Only	-18



MICRO LAB • DISTILLING COLUMNS

QM-650 DISTILLING COLUMN

A plain column with outer joint at top and an inner joint at bottom with indents for supporting packing.

Column Length, MM	14/20 Code	19/22 Code
130	-10	-22
250	-11	-23



QM-660 DISTILLING COLUMN

Similar to QM-650, but with the addition of a vacuum jacket. Column length is approximately 130mm.

Joint Size	Column ID, MM	Code
14/20	10	-10
19/22	12	-11

