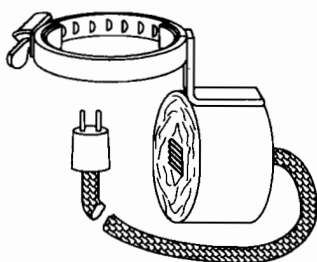


# DISTILLING HEADS

## QD-5065 ELECTROMAGNETIC COIL

To provide horizontal movement of swinging funnels, such as in QD-5000 and similar distilling apparatus. Complete with extension cord and clamp, for 115 VAC 60 cycle.

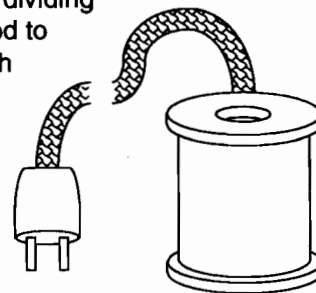
Code  
-110



## QD-5075 SOLENOID

For use on vapor- or liquid- dividing heads for actuating glass rod to control take-off. For use with QD-4010 and in similar distilling apparatus. Complete with extension cord for 115 VAC 60 cycle.

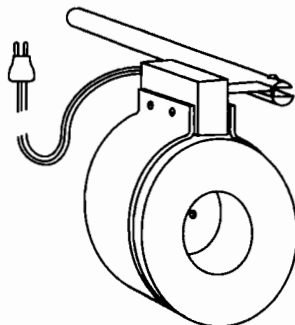
Code  
-110



## QD-5070 ELECTROMAGNETIC COIL

For use with distilling head QD-5060. Complete with extension cord and support rod for 115 VAC 60 cycle.

Code  
-110



## REMEMBER

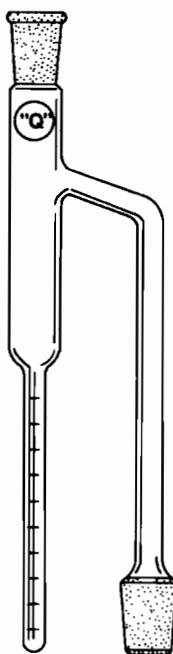
"Q" Glass has been working with customers to design and build custom glass apparatus and component parts since 1946. We can do the same for you. Please write or call us with your special requirements.

# DISTILLING RECEIVERS

## QD-5080 DISTILLING RECEIVER

Bidwell-Sterling, 24/40 joint at top with an inner joint at the bottom. The graduated tube has a round bottom.

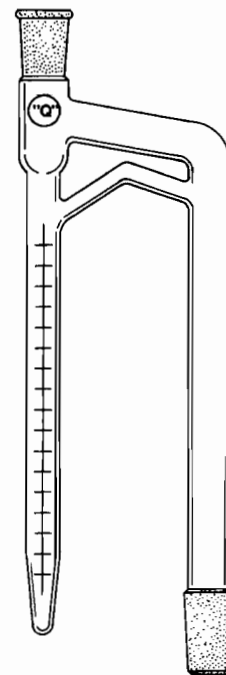
Capacity	Sub-		Code	Code
	divisions	24/40		
<u>ML</u>	<u>ML</u>			
5	0.1	-110	-212	
10	0.1	-111	-213	



## QD-6000 DISTILLING RECEIVER

Reference ASTM D95 and E123. A 24/40 outer joint at top with 24/40 inner joint at bottom and solvent return tube.

Capacity	Sub-		Code
	divisions		
<u>ML</u>	<u>ML</u>		
10	0-1 x 0.1	-110	
	1-10 x 0.2		
25	0-1 x 0.1	-111	
	1-25 x 0.2		

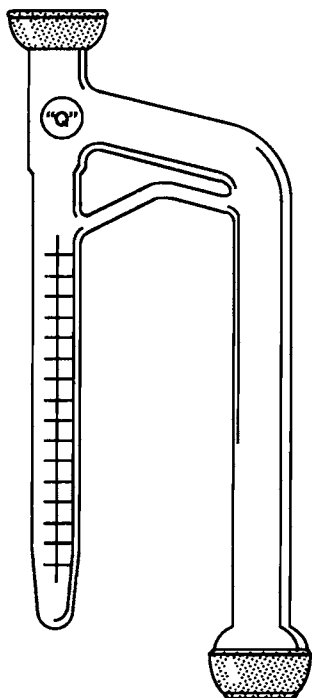


# DISTILLING RECEIVERS

## QD-6010 DISTILLING RECEIVER

Reference ASTM D95 and E123. Similar to QD-6000 but with 35/25 ball and socket joints.

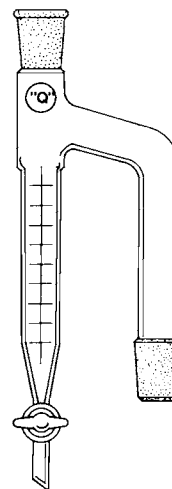
Capacity ML	Sub- divisions ML	Code
10	0-1 x 0.1	-110
	1-10 x 0.2	
25	0-1 x 0.1	-111
	1-25 x 0.2	



## QD-6040 DISTILLING RECEIVER

Dean Stark, Barrett, for determination of water in petroleum or bituminous materials. Outer joint above graduated section, and with stopcock at bottom. Inner joint on side arm. Available with a glass or teflon stopcock.

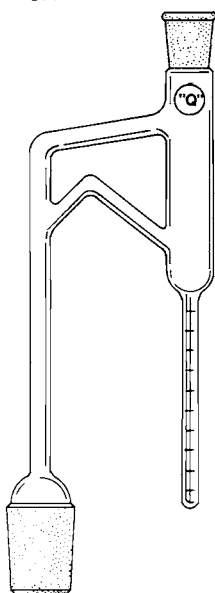
Capacity ML	Sub- divisions ML	Glass Stopcock		Teflon Stopcock	
		24/40 Code	29/42 Code	24/40 Code	29/42 Code
10	0.1	-110	-212	-314	-416
25	0-10 x 0.1	-111	-213	-315	-417
	10-25 x 0.2				



## QD-6020 DISTILLING RECEIVER

Modified Bidwell-Sterling, 24/40 outer joint at top with inner joint at bottom. The graduated tube has a round bottom and solvent return tube.

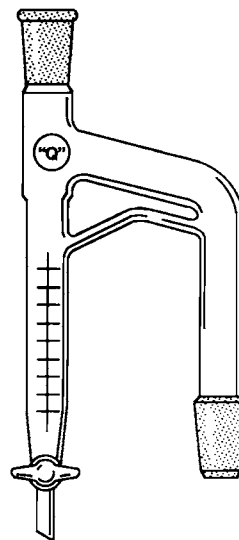
Capacity, ML	Subdivisions, ML	24/40 Code	40/50 Code
5	0.1	-110	-212
10	0.1	-111	-213



## QD-6045 DISTILLING RECEIVER

Dean Stark, Barrett, Similar to QD-6040 but with a solvent return tube. Available with a glass or teflon stopcock.

Capacity ML	Sub- divisions ML	Glass Stopcock		Teflon Stopcock	
		24/40 Code	29/42 Code	24/40 Code	29/42 Code
10	0.1	-110	-212	-314	-416
25	0-10 x 0.1	-111	-213	-315	-417
	10-25 x 0.2				

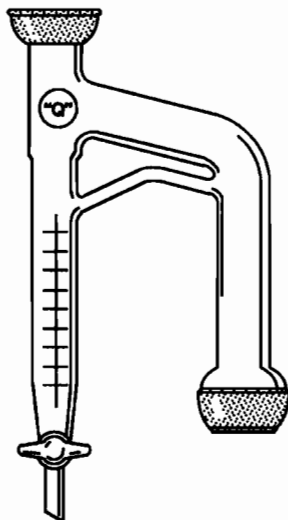


# DISTILLING RECEIVERS

## QD-6050 DISTILLING RECEIVER

Dean Stark, Barrett. Similar to QD-6045 but with 35/25 ball and socket joints. Available with a glass or teflon stopcock.

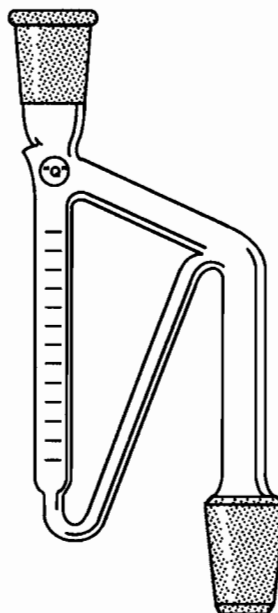
Capacity ML	Subdivisions ML	Glass Stopcock Code	Teflon Stopcock Code
10	0.1	-110	-212
25	0-10 x 0.1 10-25 x 0.2	-111	-213



## QD-6055 DISTILLING RECEIVER

Crank case, oil, 24/40 inner and outer joints. Used for testing the dilution in used gasoline oil. ASTM D-322.

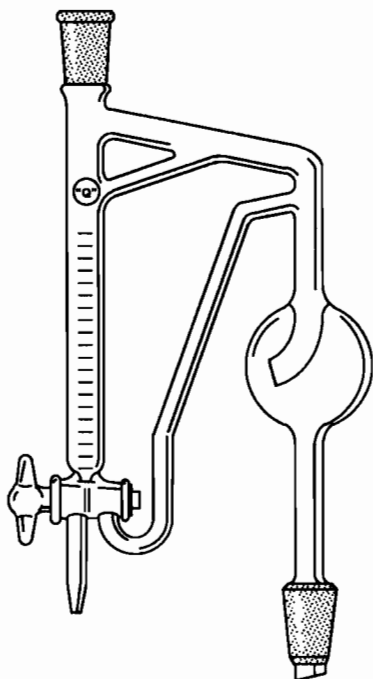
Capacity, ML	Subdivisions, ML	Code
5	0.1	-110
12.5	0.1	-111



## QD-6052 DISTILLING RECEIVER

Branigan, volatile oil trap, graduated 25ml in 1ml divisions. The receiver has a double oblique stopcock and built in foam trap. Both joints are 24/40.

Code  
-110

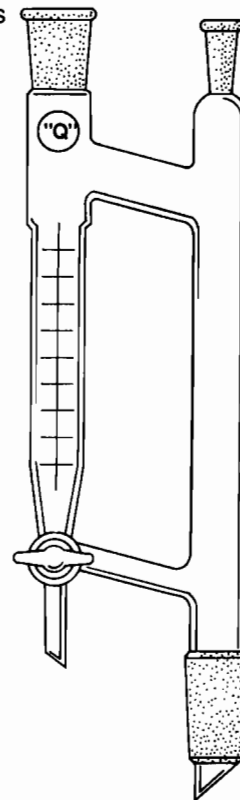


## QD-6060 DISTILLING RECEIVER

20ml, graduated in 0.2ml divisions from 0-3ml, 0.5ml divisions from 3-20ml. For use with liquids heavier than water. A 10/30 outer joint for for 75mm immersion thermometer.

Available with a glass or teflon stopcock.

Joint Size	Glass	Teflon
	Stopcock	Stopcock
	<u>Code</u>	<u>Code</u>
24/40	-110	-212
29/42	-111	-213

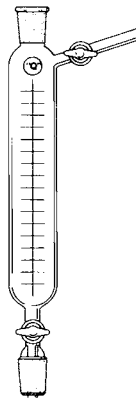


# DISTILLING RECEIVERS

## QD-6080 DISTILLING RECEIVER

Receiver has an outlet tube for vacuum with a stopcock, a graduated section with a stopcock and a drip tube at the bottom. Available with glass or teflon stopcocks.

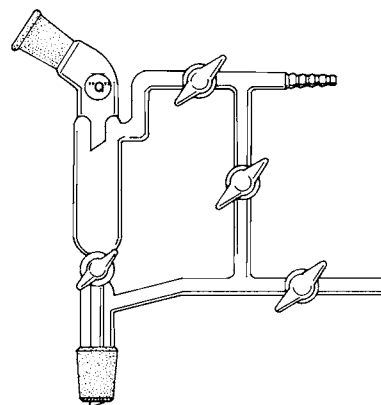
<u>Capacity, ML</u>	<u>Subdivisions, ML</u>	<u>Stopcock</u> <u>MM</u>	<u>Glass Stopcock</u>		<u>Teflon Stopcock</u>	
			<u>24/40</u> <u>Code</u>	<u>29/42</u> <u>Code</u>	<u>24/40</u> <u>Code</u>	<u>29/42</u> <u>Code</u>
50	1	2	-110	-214	-318	-422
100	1	2	-111	-215	-319	-423
250	2	2	-112	-216	-320	-424
500	5	4	-113	-217	-321	-425



## QD-7000 DISTILLING RECEIVER

Reduced pressure, 4 stopcock manifold to allow receiving flask to be removed without disturbing the vacuum. Both joints are the same size. Available with glass or teflon stopcocks.

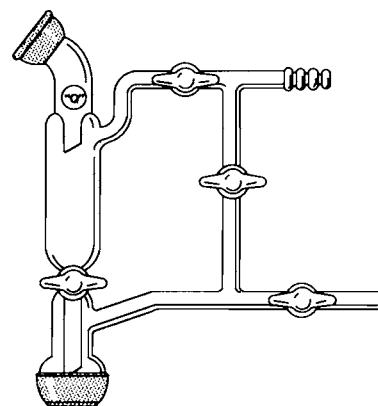
<u>Capacity, ML</u>	<u>Glass Stopcock</u>		<u>Teflon Stopcock</u>	
	<u>24/40</u> <u>Code</u>	<u>29/42</u> <u>Code</u>	<u>24/40</u> <u>Code</u>	<u>29/42</u> <u>Code</u>
50	-110	-214	-318	-422
100	-111	-215	-319	-423
250	-112	-216	-320	-424
500	-113	-217	-321	-425



## QD-7005 DISTILLING RECEIVER

Reduced pressure. Similar to QD-7000 but with 35/25 ball and socket joints. Available with glass or teflon stopcocks.

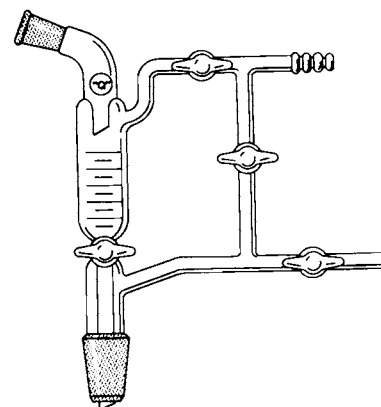
<u>Capacity, ML</u>	<u>Glass Stopcock</u>		<u>Teflon Stopcock</u>	
	<u>Code</u>	<u>Code</u>	<u>Code</u>	<u>Code</u>
50	-110	-214	-318	-422
100	-111	-215	-319	-423
250	-112	-216	-320	-424
500	-113	-217	-321	-425



## QD-7010 DISTILLING RECEIVER

Reduced pressure, 4 stopcock manifold to allow receiving flask to be removed without disturbing the vacuum. Similar to QD-7000 but graduated up from stopcock. Available with glass or teflon stopcocks.

<u>Capacity, ML</u>	<u>Subdivisions, ML</u>	<u>Glass Stopcock</u>		<u>Teflon Stopcock</u>	
		<u>24/40</u> <u>Code</u>	<u>29/42</u> <u>Code</u>	<u>24/40</u> <u>Code</u>	<u>29/42</u> <u>Code</u>
50	1.0	-110	-214	-318	-422
100	2.0	-111	-215	-319	-423
250	2.0	-112	-216	-320	-424
500	2.0	-113	-217	-321	-425

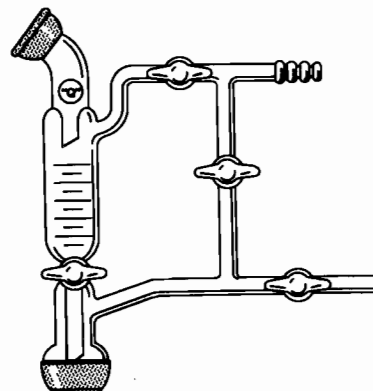


# DISTILLING RECEIVERS

## QD-7015 DISTILLING RECEIVER

Reduced pressure. Similar to QD-7010, but with 35/25 ball and socket joints. Available with glass or teflon stopcocks.

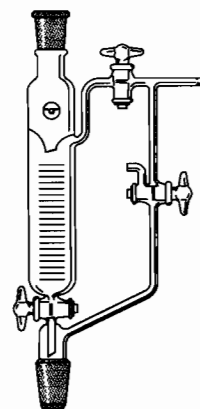
<u>Capacity, ML</u>	<u>Subdivisions, ML</u>	Glass Stopcock		Teflon Stopcock	
		<u>Code</u>	<u>Code</u>	<u>Code</u>	<u>Code</u>
50	1.0	-110	-110	-214	-214
100	2.0	-111	-111	-215	-215
250	2.0	-112	-112	-216	-216
500	2.0	-113	-113	-217	-217



## QD-7020 DISTILLING RECEIVER

Reduced pressure, 3 stopcock manifold to allow receiving flask to be removed without disturbing the vacuum. Joints on the graduated section are the same size. Available with glass or teflon stopcocks.

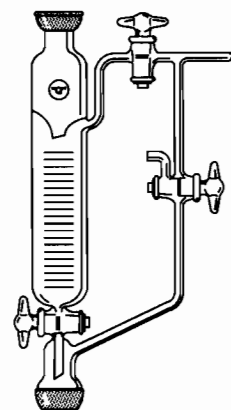
<u>Capacity, ML</u>	<u>Sub-Divisions, ML</u>	Glass Stopcock		Teflon Stopcock	
		<u>24/40 Code</u>	<u>29/42 Code</u>	<u>24/40 Code</u>	<u>29/42 Code</u>
50	1.0	-110	-213	-316	-419
100	1.0	-111	-214	-317	-420
250	2.0	-112	-215	-318	-421



## QD-7025 DISTILLING RECEIVER

Reduced pressure. Similar to QD-7020, but with 35/25 ball and socket joints. Available with glass or teflon stopcocks.

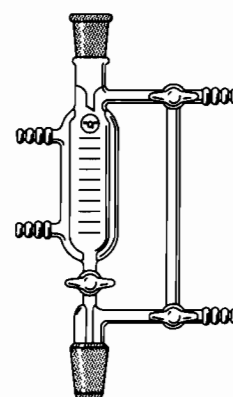
<u>Capacity, ML</u>	<u>Sub-Divisions, ML</u>	Glass Stopcock		Teflon Stopcock	
		<u>Code</u>	<u>Code</u>	<u>Code</u>	<u>Code</u>
50	1.0	-110	-110	-213	-213
100	1.0	-111	-111	-214	-214
250	2.0	-112	-112	-215	-215



## QD-7030 DISTILLING RECEIVER

Reduced pressure, jacketed, 3 stopcock manifold to allow receiving flask to be removed without disturbing the vacuum. Joints on the graduated section are the same size. Available with glass or teflon stopcocks.

<u>Capacity, ML</u>	<u>Sub-Divisions, ML</u>	Glass Stopcock		Teflon Stopcock	
		<u>24/40 Code</u>	<u>29/42 Code</u>	<u>24/40 Code</u>	<u>29/42 Code</u>
50	1.0	-110	-213	-316	-419
100	1.0	-111	-214	-317	-420
250	2.0	-112	-215	-318	-421

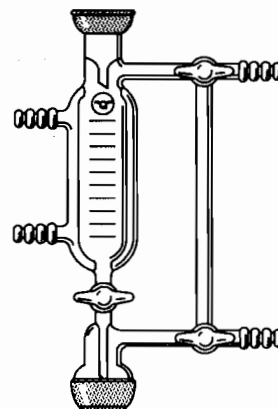


# DISTILLING RECEIVERS

## QD-7035 DISTILLING RECEIVER

Reduced pressure, jacketed. Similar to QD-7030, but with 35/25 ball and socket joints. Available with glass or teflon stopcocks.

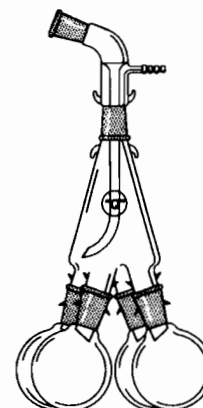
<u>Capacity, ML</u>	<u>Subdivisions, ML</u>	<u>Glass Stopcock Code</u>	<u>Teflon Stopcock Code</u>
50	1.0	-110	-213
100	1.0	-111	-214
250	2.0	-112	-215



## QD-7040 DISTILLING RECEIVER

Distributing chamber with four 50ml round bottom flasks as receivers. Top vacuum adapter on a 105° angle, with a long delivery tip. All joints are 24/40 and are held together by springs.

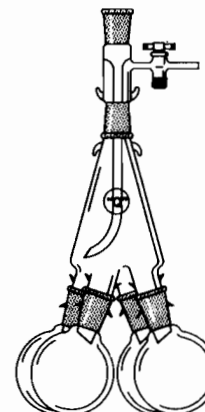
<u>Description</u>	<u>Code</u>
Complete	-110
Distribution Chamber Only	-111
Vacuum Adapter Only	-112
50ML Flask Only (4)	-113



## QD-7045 DISTILLING RECEIVER

Similar to QD-7040, but the vacuum adapter is straight and a 2mm stopcock has been added for vacuum control. Available with a glass or teflon stopcock.

<u>Description</u>	<u>Code</u>
Complete with Glass Stopcock	-110
Complete with Teflon Stopcock	-111
Distribution Chamber Only	-112
Vacuum Adapter Only with glass stopcock	-113
Vacuum Adapter Only with Teflon Stopcock	-114
50ML Flask Only (4)	-115



### REMEMBER

"Q" Glass has been working with customers to design and build custom glass apparatus and component parts since 1946. We can do the same for you. Please write or call us with your special requirements.