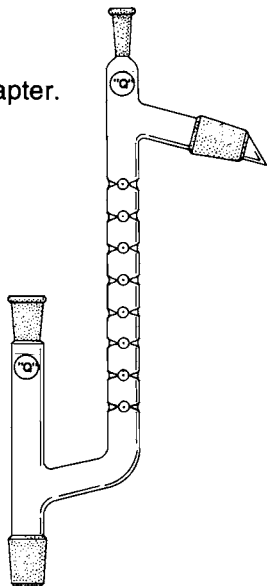


DISTILLING HEADS

QD-3040 DISTILLING HEAD

Vigreux type column attached to a vertical side arm of a claisen adapter. The top of the column has a 10/30 outer joint for a thermometer. The side arm has a drip tip the same size as the inner and outer joints on the adapter.

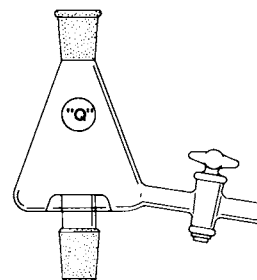
Column Length, MM	24/40 Code	29/42 Code
100	-110	-215
200	-111	-216
250	-112	-217
300	-113	-218
400	-114	-219



QD-3070 DISTILLING HEAD

Outer joint at the top of the flask with inner joint of the same size at the bottom. Side stopcock 2mm, available in glass or teflon.

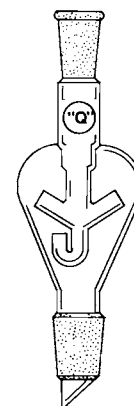
Stopcock	24/40 Code	29/42 Code
Glass	-110	-212
Teflon	-111	-213



QD-3080 DISTILLING HEAD

Outer joint at the top of a pear shaped bulb with a drip tip of the same size at the bottom. The baffles allow vapors to pass through the upper tubes to the column and condensate to return through the lower tube.

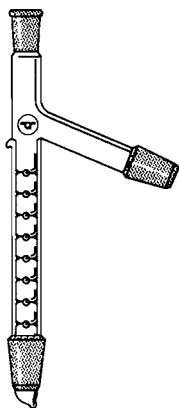
Joint Size	Bulb Diameter, MM	Code
24/40	65	-110
29/42	75	-111



QD-3050 DISTILLING HEAD

125mm Vigreux type column vacuum jacketed, with a 10/30 outer joint for a 75MM immersion thermometer at the top. The side arm inner joint and bottom drip joint are the same size.

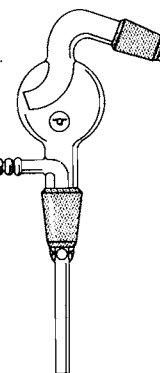
Joint Size	Code
24/40	-110
29/42	-111



QD-3090 DISTILLING HEAD

Top drip joint is connected to a curved tube inside the bulb, with a right angle steam inlet tube above the bottom inner joint. Please specify length below joint.

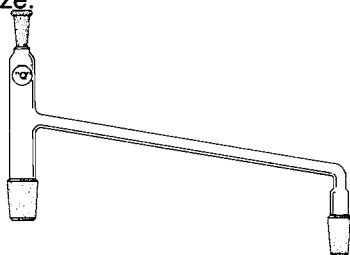
Upper Joint	Lower Joint	Code
19/38	24/40	-110
19/38	29/42	-111
24/40	24/40	-112
24/40	29/42	-113
24/40	34/45	-114



QD-3060 DISTILLING HEAD

The top of the column has a 10/30 outer joint for a thermometer. Bottom inner joint and inner joint on side arm are the same size.

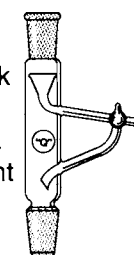
Joint Size	Code
24/40	-110
29/42	-111



QD-4000 DISTILLING HEAD

Integral funnel with a 2mm T-bore stopcock and a return tube for the removal of condensate as a product or the return as a reflux. Top outer joint and bottom inner joint are the same size. Available with either a glass or teflon stopcock.

Joint Size	Glass Stopcock Code	Teflon Stopcock Code
24/40	-110	-212
29/42	-111	-213

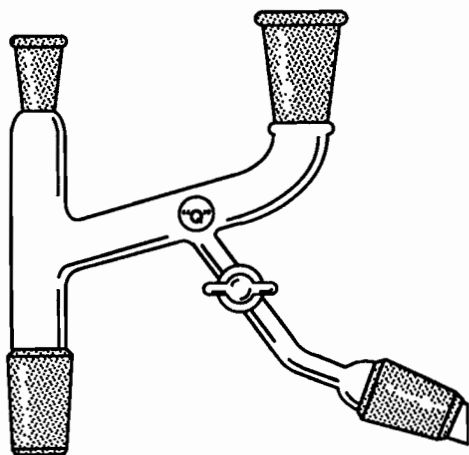


DISTILLING HEADS

QD-4005 DISTILLING HEAD

Takeoff tube with a stopcock and drip joint connected to the vertical side arm of a claisen adapter. Top 10/30 joint for a 75mm immersion thermometer. Other joints are the same size. Available with either a glass or teflon stopcock.

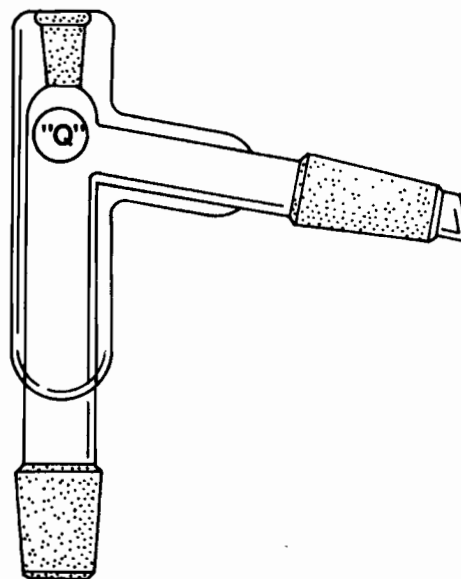
Joint Size	Glass Stopcock	Teflon Stopcock
	Code	Code
24/40	-110	-212
29/42	-111	-213



QD-4020 DISTILLING HEAD

Vacuum jacketed, with 10/30 outer joint at top for thermometer. Inner joint at bottom and drip tip on side arm are the same size.

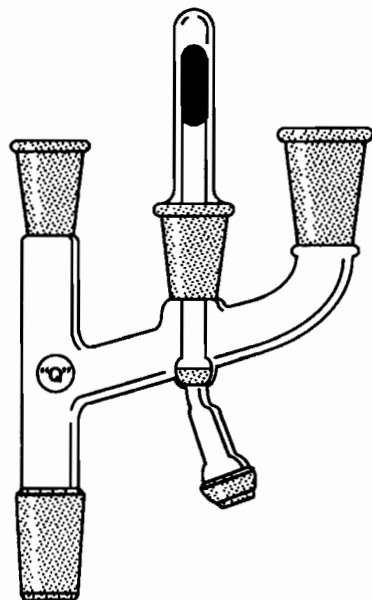
Joint Size	Code
24/40	-110
29/42	-111



QD-4010 DISTILLING HEAD

Takeoff arm with magnetically controlled ball valve to open and close takeoff, connected to a claisen style adapter. A 10/30 outer joint on the main tube is for a 75mm immersion thermometer. Ball joint on takeoff is a 18/9 with a 19/38 outer joint for the magnetic stopper.

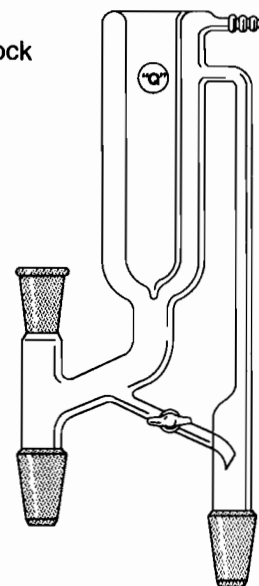
Joint Size	Code
24/40	-110
29/42	-111



QD-4030 DISTILLING HEAD

Dewar type for use in distilling low boiling liquids or gases. Reservoir can hold dry ice or liquid nitrogen. Stopcock has a drop counting tip on the receiver side. Top 10/30 outer joint accepts a thermometer with a 75mm immersion. Inner joints at bottom are the same size. Available with glass or teflon stopcocks.

Joint Size	Glass Stopcock	Teflon Stopcock
	Code	Code
24/40	-110	-212
29/42	-111	-213

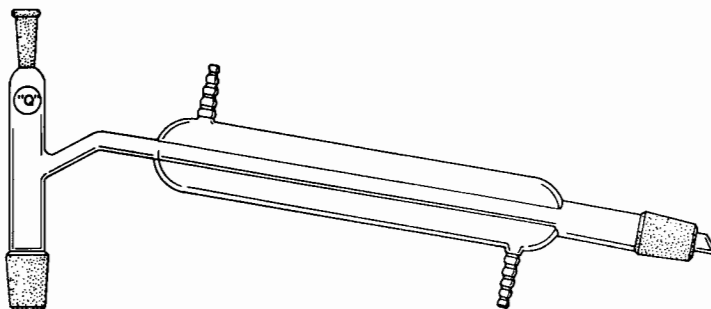


DISTILLING HEADS

QD-4040 DISTILLING HEAD

Straight thermometer adapter with a connecting liebig condenser on a 75° angle. Top 10/30 outer joint accepts a thermometer with a 75mm immersion.

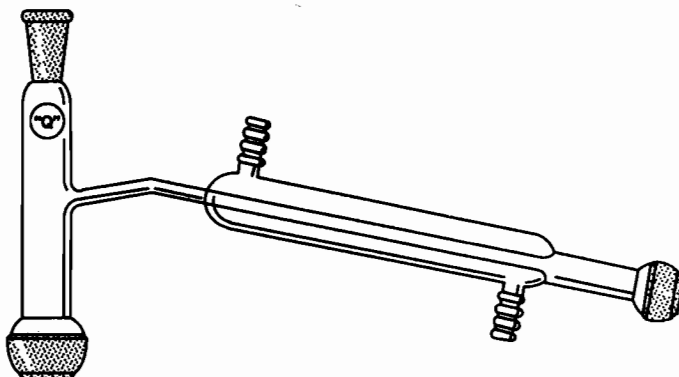
Condenser Jacket, MM	24/40 Code	29/42 Code
200	-110	-214
300	-111	-215
400	-112	-216
500	-113	-217



QD-4050 DISTILLING HEAD

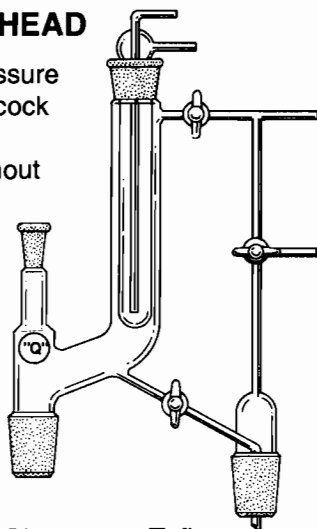
Similar to QD-4040 but with 35/25 ball joints in place of the inner joints.

Condenser Jacket, MM	Code
200	-110
300	-111
400	-112
500	-113



QD-4060 DISTILLING HEAD

For use at atmospheric pressure or under vacuum. The stopcock manifold allows contents of receiver to be removed without disturbing the vacuum. Removable cold finger condenser is approximately 300mm. The 10/30 outer joint is for a 75mm immersion thermometer. The condenser joint is a 29/42, both bottom joints are the same size. Available with glass or teflon stopcocks.

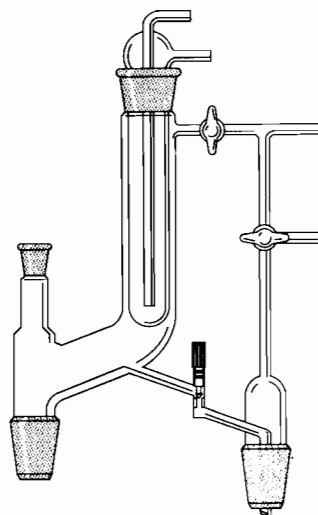


Description	Joint Size	Glass Stopcock Code	Teflon Stopcock Code
Complete Apparatus	24/40	-110	-214
Complete Apparatus	29/42	-111	-215
Head Only	24/40	-112	-216
Head Only	29/42	-113	-217
Cold Finger Only	29/42		QC-5002-220

QD-4060T DISTILLING HEAD

Similar to QD-4060 but with a teflon valve, horizontally positioned for drop counting releases.

Description	Joint Size	Code
Complete Apparatus	24/40	-110
Complete Apparatus	29/42	-111
Head Only	24/40	-112
Head Only	29/42	-113
Cold Finger Only	29/42	QC-5002-220

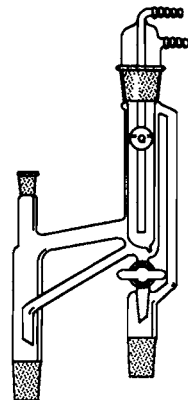


DISTILLING HEADS

QD-4070 DISTILLING HEAD

Removable cold finger condenser with a 34/45 inner joint. Reflux ratio is controlled by a 1mm bore stopcock. The 10/30 outer joint is for a 75mm immersion thermometer. Bottom inner joints are the same size. Available with a glass or teflon stopcock.

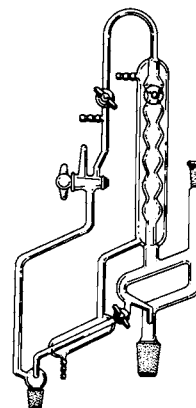
<u>Description</u>	<u>Joint Size</u>	<u>Glass Stopcock Code</u>	<u>Teflon Stopcock Code</u>
Complete Apparatus	24/40	-110	-215
Complete Apparatus	29/42	-111	-216
Head Only	24/40	-112	-217
Head Only	29/42	-113	-218
Cold Finger Only		-114	



QD-4080 DISTILLING HEAD

Built in allihn condenser is approximately 250mm lg. There is a stopcock manifold for control of reflux and vacuum with vent next to the oblique stopcock. A 10/30 outer joint for a 75mm immersion thermometer. Both bottom joints are the same size. Available with glass or teflon stopcocks.

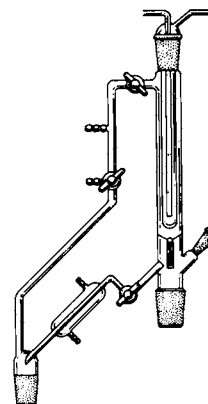
<u>Joint Size</u>	<u>Glass Stopcock Code</u>	<u>Teflon Stopcock Code</u>
24/40	-110	-212
29/42	-111	-213



QD-5000 DISTILLING HEAD

Automatic reflux control for use at atmospheric pressure or under vacuum. Removable cold finger condenser sits above a swinging funnel with a soft iron core moved by an electromagnet for reflux or takeoff. A 10/30 outer joint at side is for a 75mm immersion thermometer. The condenser joint is a 29/42, the bottom inner joints are the same size.

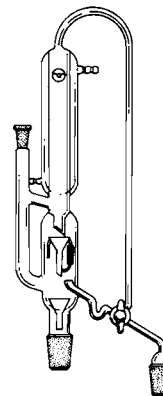
<u>Description</u>	<u>24/40 Code</u>	<u>29/42 Code</u>
Complete Apparatus	-110	-212
Head Only	-111	-213
Cold Finger Only		-214



QD-5020 DISTILLING HEAD

Automatic reflux control. Built in liebigh condenser sits above a swinging funnel with soft iron core, moved by an electromagnet for reflux or takeoff. A 10/30 joint for a 75mm immersion thermometer. T-bore stopcock on takeoff tube. The bottom inner joints are the same size

<u>Joint Size</u>	<u>Code</u>
24/40	-110
29/42	-111

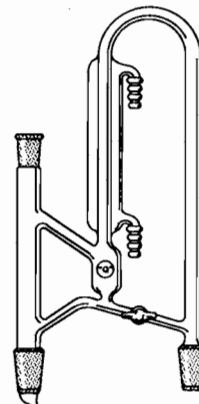


DISTILLING HEADS

QD-5030 DISTILLING HEAD

A built in liebig condenser with a side column, 10/30 outer joint for a 75mm immersion thermometer. Inner joints at bottom are the same size. Straight bore stopcock to control reflux. Available with a glass or teflon stopcock.

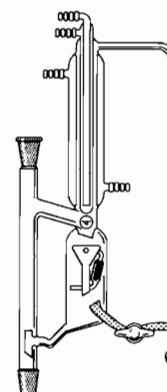
<u>Joint Size</u>	<u>Glass Stopcock Code</u>	<u>Teflon Stopcock Code</u>
24/40	-110	-212
29/42	-111	-213



QD-5040 DISTILLING HEAD

Automatic reflux control with built in condensers, a cooling jacket and a cold finger. Swinging funnel with soft iron core moved by an electromagnet for reflux or takeoff. Top joint on column is a 10/30 outer for a 75mm immersion thermometer and an inner joint at the bottom. An 18/9 ball joint on the takeoff arm. Glass stopcock controls takeoff.

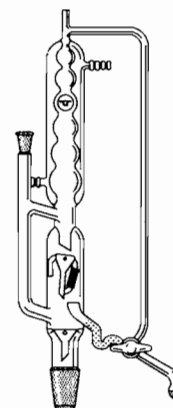
<u>Joint Size</u>	<u>Code</u>
24/40	-110
29/42	-111



QD-5050 DISTILLING HEAD

Automatic reflux control with a built in allihn condenser, which sits above a swinging funnel with soft iron core moved by an electromagnet for reflux or takeoff. A 10/30 outer joint for a 75mm immersion thermometer. An 18/9 ball joint at the bottom of takeoff tube with a glass T-bore stopcock. The column has a 29/42 inner joint.

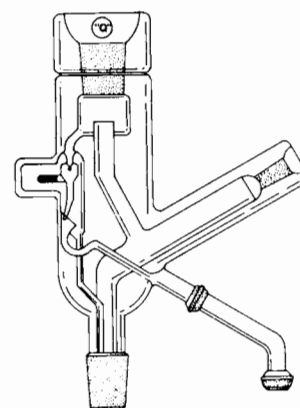
<u>Code</u>
-110



QD-5060 DISTILLING HEAD

Automatic reflux control, vacuum jacketed and internal bellows to compensate for temperature differential. A 10/30 outer joint for a 75mm immersion thermometer. Swinging funnel with soft iron core moved by an electromagnet. The takeoff tube has a 18/9 ball joint to connect to the 120° adapter. Top outer and bottom inner joints are the same size.

<u>Joint Size</u>	<u>Code</u>
24/40	-110
29/42	-111

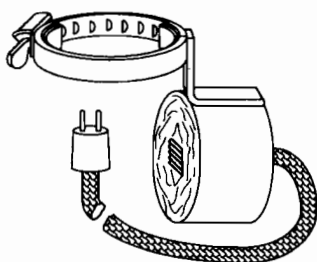


DISTILLING HEADS

QD-5065 ELECTROMAGNETIC COIL

To provide horizontal movement of swinging funnels, such as in QD-5000 and similar distilling apparatus. Complete with extension cord and clamp, for 115 VAC 60 cycle.

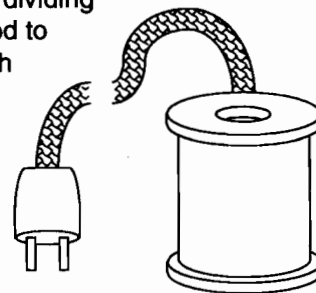
Code
-110



QD-5075 SOLENOID

For use on vapor- or liquid- dividing heads for actuating glass rod to control take-off. For use with QD-4010 and in similar distilling apparatus. Complete with extension cord for 115 VAC 60 cycle.

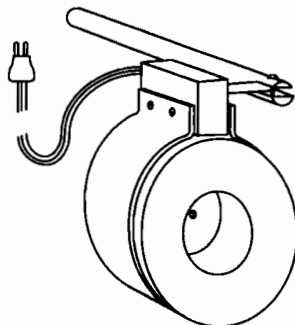
Code
-110



QD-5070 ELECTROMAGNETIC COIL

For use with distilling head QD-5060. Complete with extension cord and support rod for 115 VAC 60 cycle.

Code
-110



REMEMBER

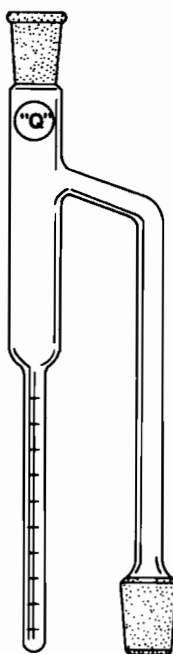
"Q" Glass has been working with customers to design and build custom glass apparatus and component parts since 1946. We can do the same for you. Please write or call us with your special requirements.

DISTILLING RECEIVERS

QD-5080 DISTILLING RECEIVER

Bidwell-Sterling, 24/40 joint at top with an inner joint at the bottom. The graduated tube has a round bottom.

Capacity	Sub-		Code	Code
	divisions	24/40		
<u>ML</u>	<u>ML</u>			
5	0.1	-110	-212	
10	0.1	-111	-213	



QD-6000 DISTILLING RECEIVER

Reference ASTM D95 and E123. A 24/40 outer joint at top with 24/40 inner joint at bottom and solvent return tube.

Capacity	Sub-		Code
	divisions		
<u>ML</u>	<u>ML</u>		
10	0-1 x 0.1	-110	
	1-10 x 0.2		
25	0-1 x 0.1	-111	
	1-25 x 0.2		

